

- NOTES:
1. ALL CABLE SCREENS ARE GROUNDED.
  2. A SHORTING LINK IS NORMALLY CONNECTED BETWEEN J21 AND J22. THIS LINK IS TO BE REMOVED WHEN THE RECEIVER MUTE SWITCH IS FITTED.
  3. C301 IS SELECTED DURING PRODUCTION TEST.

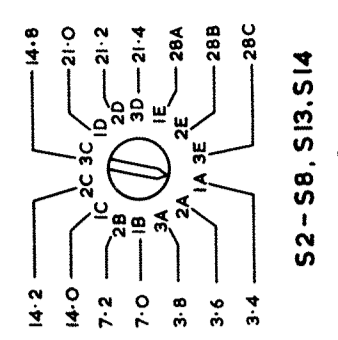
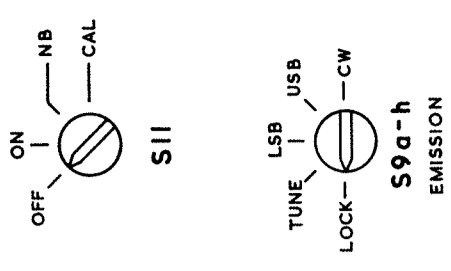


Fig. 9

Transceiver KWM-2A : circuit (sh.2)

RESTRICTED

AIR DIAGRAM-NIN  
116E-0128-MB7  
BY ORDER OF THE AIR FORCE SYSTEMS COMMAND, FOR USE IN THE  
REPRODUCTION OF THIS DOCUMENT.  
Prepared by the Ministry of Defense