

NOTES -
 1. R3 - R6 IN THE DIRECTIONAL COUPLER ARE SELECTED DURING PRODUCTION TEST.
 2. ALL CABLE SCREENS ARE GROUNDED.

J2
 6.3 V METER LIGHT
 6.3 V FROM KWM-2A

J7
 4.4 AUDIO IN
 4.4 AUDIO OUTPUT FROM KWM-2A

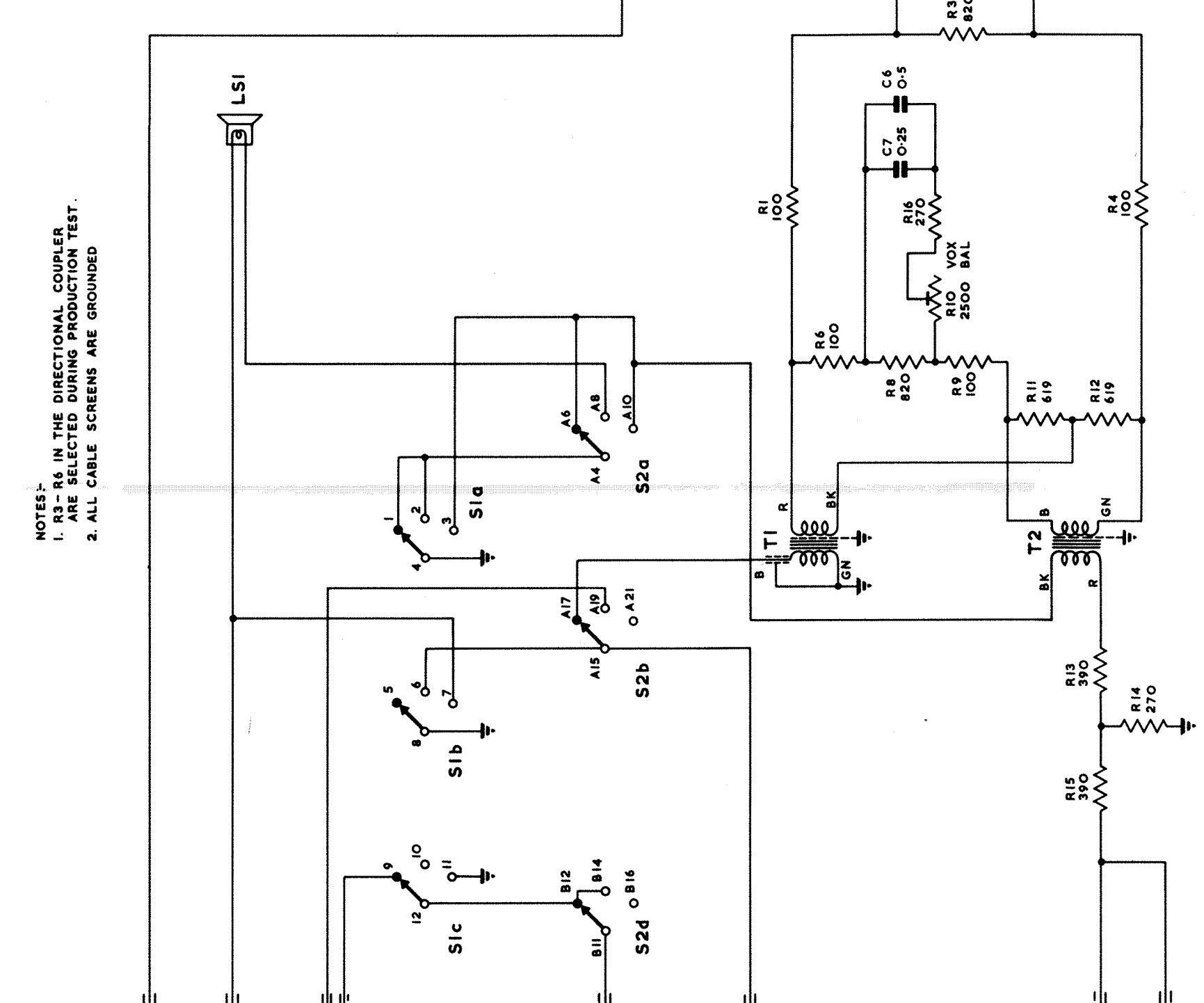
J1
 MIC
 TO MICROPHONE SM-2 (OR SIMILAR HIGH IMPEDANCE DYNAMIC MICROPHONE)

J3
 PTT
 'PRESS-TO-TRANSMIT' INPUT TO KWM-2A

J4
 PHONE PATCH OUT
 PHONE PATCH INPUT TO KWM-2A

J5
 500.0 AUDIO OUTPUT FROM KWM-2A
 ANTI-VOX IN
 ANTI-VOX OUT

J6
 NOT USED



Station control 312B-4 : circuit
 RESTRICTED

AIR DIAGRAM - MIN
 116E-0128-MD2
 BY COMMAND OF THE SERVICE COMMANDER FOR USE IN THE
 PARTS AND FORCE
 PREPARED BY THE HEADQUARTERS OF AVIATION